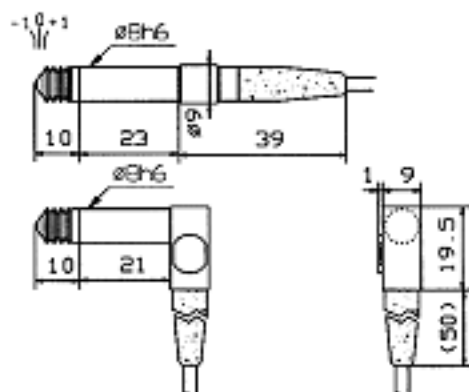
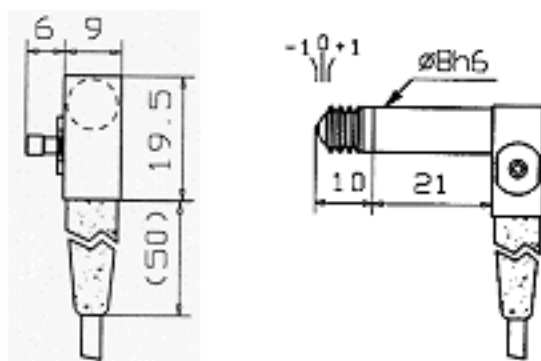


3MTLX10 Engineering Drawings



Type MTLX10A/R



Types MTLX10RV / RP (shown fully extended)